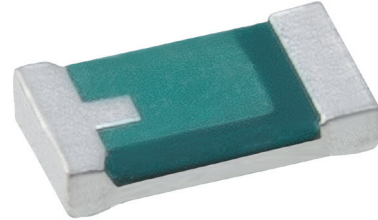


VMI-R000 (0805)

ISA-PLAN® PRECISION RESISTOR



FEATURES

- 0.25 W power rating at $T_K=125^\circ\text{C}$
- Constant current up to 35 A (DC-current)
- Standard pad size (0805)
- High pulse power rating
- Full copper construction and tinned terminals
- Mounting: Reflow- and IR-soldering
- AEC-Q200 qualified



APPLICATIONS

- Jumper
- Multiple usage of the layout

Technical data

Resistance value	mOhm	<0.2
Temperature coefficient (20-60 °C)	ppm/K	3200 ±500
Applicable temperature range	°C	-65 to +170
Power rating P_{125°C}	W	0.25
Inductance	nH	<1
DC-current (continuous)	A	35

Ordering code

VMI - R000 - U / - G

- - U = blister tape / - G = paper tape, no marking
- Resistance value [Ohm] / "R" represents decimal point
- Type

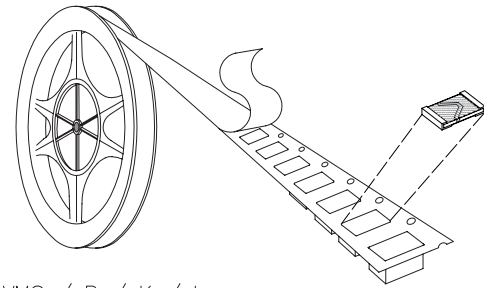
Recommended solder profile

Reflow- and IR-soldering

Temperature	°C	260	255	217
Time	sec	peak	40	90

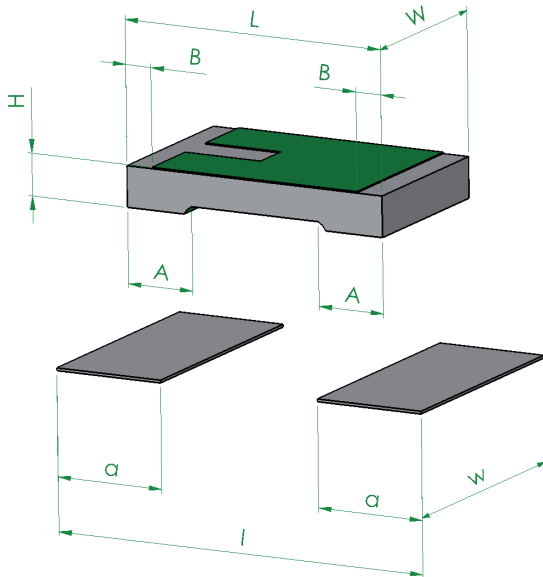
Tape and reel information

Specification	DIN EN 60286-3		
Tape width	mm	8	
Reel size	inch	13	
Parts per reel	pcs	15000	



VMS / P / K / I

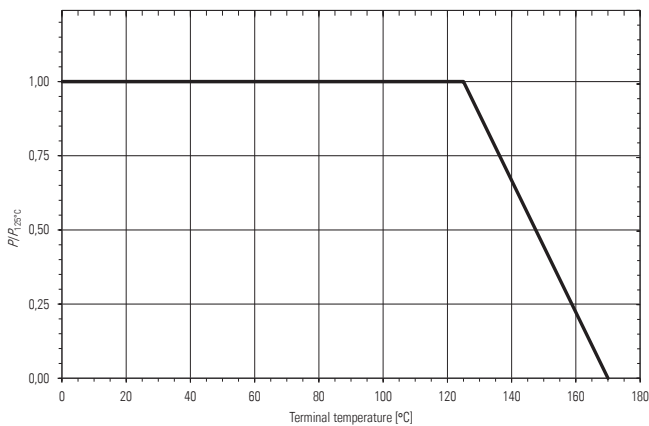
Mechanical dimensions and pcb-layout proposal (Reflow-soldering) [mm]

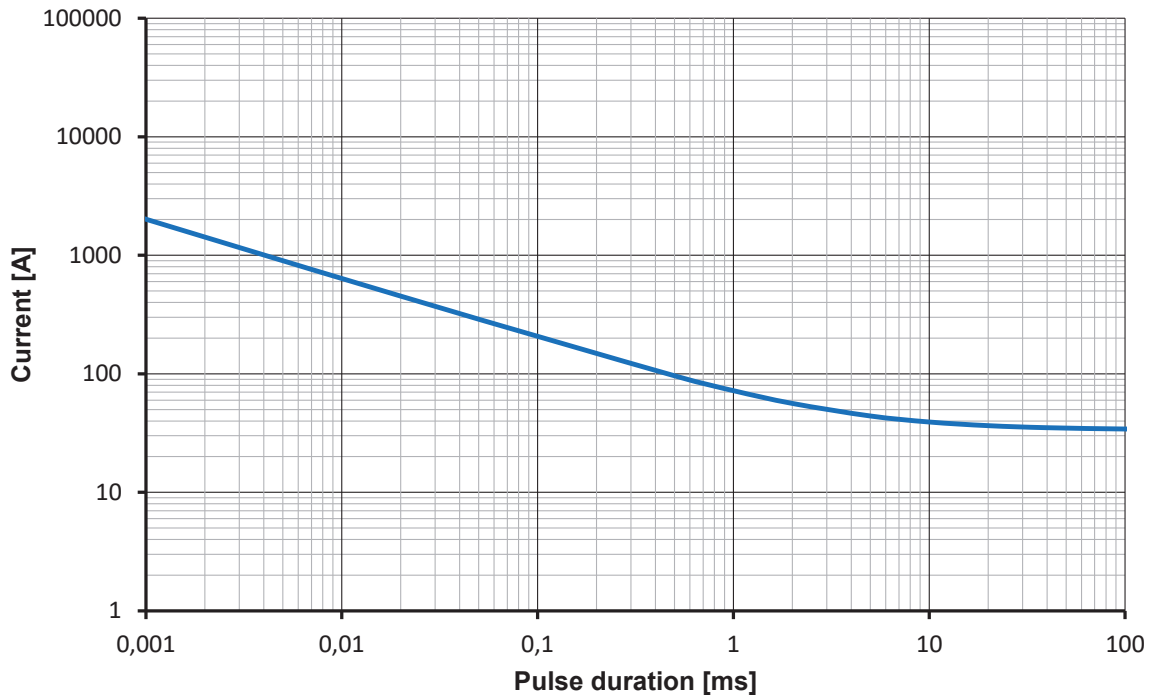


Type	L	W	H	A	B
VMI-R000	2.03 ± 0.15	1.27 ± 0.15	0.3 ± 0.15	0.45 ± 0.1	0.2 + 0.15/-0.1

Solder pad type	l	w	a
VMI-R000	2.9	1.8	0.82

Power derating curve



VMI-R000Pulse current characteristic ($T_k = 125\text{ °C}$)**Specification**

Parameters	Test conditions	Specified values
Temperature Cycling	2000 cycles (-55 °C to +150 °C)	20 % \pm 0.2 m Ω
Low Temperature Storage and Operation	-65 °C for 250 h	\pm 10 %
Resistance to Soldering Heat	3 x reflow profile	10 % \pm 0.1 m Ω
Operational Life	2000 h, T_k max at nominal load	20 % \pm 0.2 m Ω
High Temperature Exposure	2000 h / 170 °C	20 % \pm 0.2 m Ω
Bias Humidity	+85 °C, 85 r.F., 1000 h	10 %

Disclaimer // All products, product specifications and data are subject to change without notice. The product specifications do not expand or otherwise modify Isabellenhütte's terms and conditions of sale, including but not limited to, the warranty expressed therein. Isabellenhütte makes no warranty, representation or guarantee other than as set forth in its terms and conditions of sale. Information provided in datasheets and/or specifications may vary from actual results in different applications. Any statements made by Isabellenhütte regarding the suitability of products for certain types of applications are based on its knowledge of typical requirements that are often placed on its products. It is the customer's responsibility to validate that a particular product with the properties described in the product specification is suitable for use in the application intended. No license, express or implied, or otherwise, to any intellectual property rights is granted by this document. Any and all liability arising out of the application or use of any product shall be as set forth in Isabellenhütte's terms and conditions of sale.

