



# ISABELLENHÜTTE

Innovation by Tradition

## IEM-DCR

### HIGH PRECISION DC ENERGY METER

ISAscale® Energy Meter – DC charging



#### INTRODUCTION

The IEM-DCR represents the second generation of precise DC energy metering by Isabellenhütte. It complies with the German measurement and calibration law. The portfolio consists of a display unit and two sensor unit options, which allow to serve applications of various sizes and power ratings in charging infrastructure and utility domains.



#### APPLICATIONS

- Public charging infrastructure
- From DC wall box to HPC and MW charging
- Smart metering and utility applications
- IoT applications

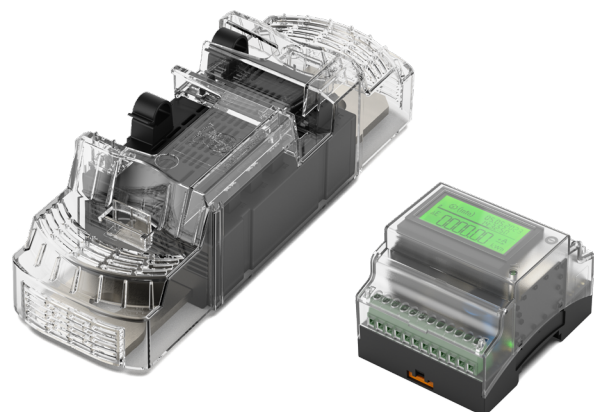
#### FEATURES

- Compact design thanks to shunt-based measurement
- Separate sensor unit for installation in hard-to-reach zones
- Din-Rail mounting
- Multiple voltage taps to allow cable loss calculation and monitoring of breakers and fuses
- Compensation of cable losses with cable-specific parameters
- Creation and internal storage of charging records (OCMF)
- Accuracy rating B according to EN 50470 (MID)/VDE-AR-E 2418-3-100

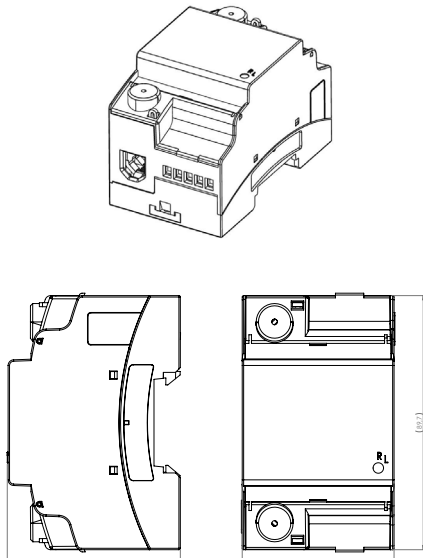
#### IEM-DCR 125



#### IEM-DCR 1000

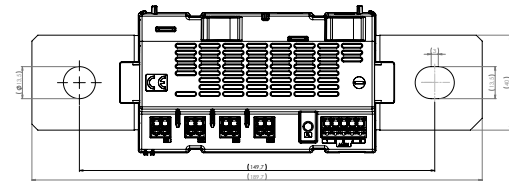
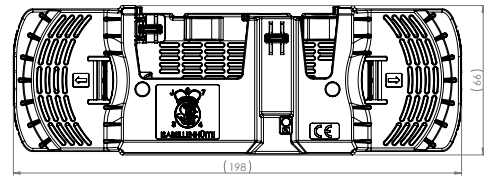
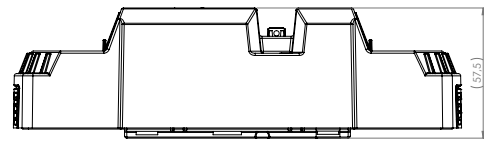


# TECHNICAL DATA



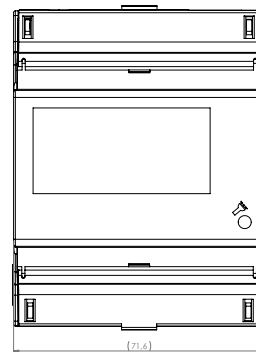
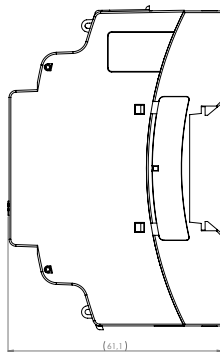
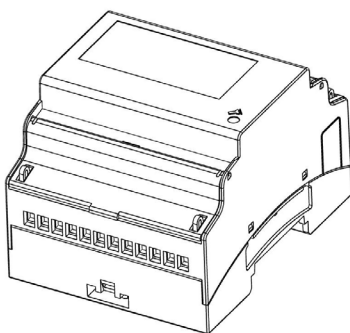
## IEM-DCR 125

Description	Value
Rated Current	125 A
Rated Voltage	1000 V
Number of Voltage Channels	2
Power Path	35 mm <sup>2</sup> with ferrule 50 mm <sup>2</sup> without
Mounting	Din-Rail, 3 Modules (54 mm)
Max. Terminal Temp.	105°C



## IEM-DCR 1000

Description	Value
Rated Current	1000 A
Rated Voltage	1500 V
Number of Voltage Channels	4
Power Path	Shunt 40x4 mm
Mounting	Bus-bar, M12
Max. Terminal Temp.	105°C



## DISPLAY UNIT

Description	Value	Unit
Power Supply Voltage	12 - 24	V
Physical Interfaces	RJ45 (Ethernet), RJ12 (LMN), Terminal: CAN Info, RS485 (SML)	
Terminal Connectors	1.5	mm <sup>2</sup>
Display Size	47.98 x 18.22	mm
Display Resolution	128 x 64	
Mounting	(Din-Rail, 4 Modules) 72	mm
Max. Ambient Temp.	-25 to 70	°C